

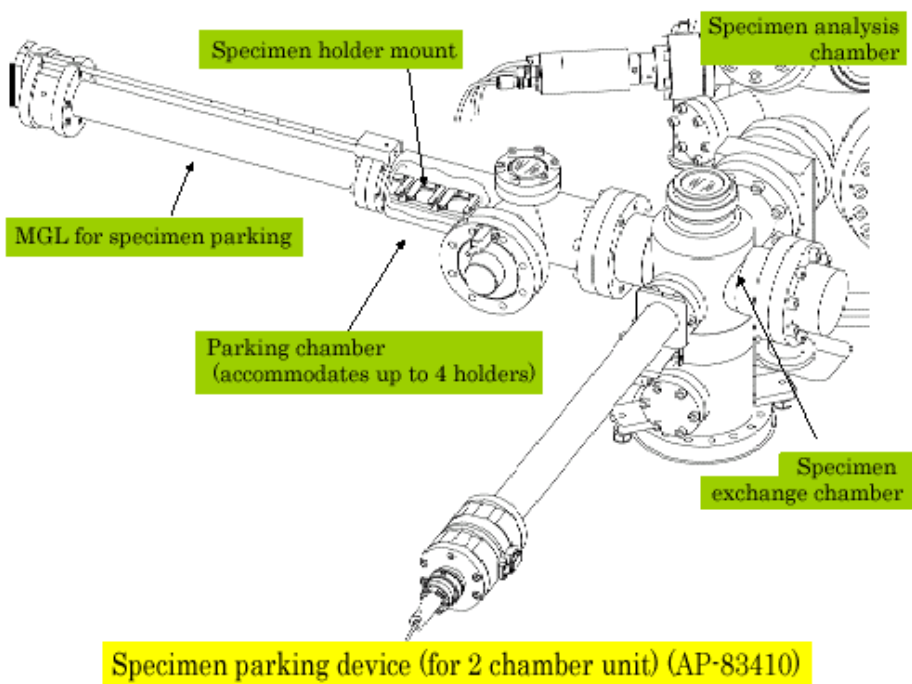
Specimen Preparation Devices for JAMP-7800 Series

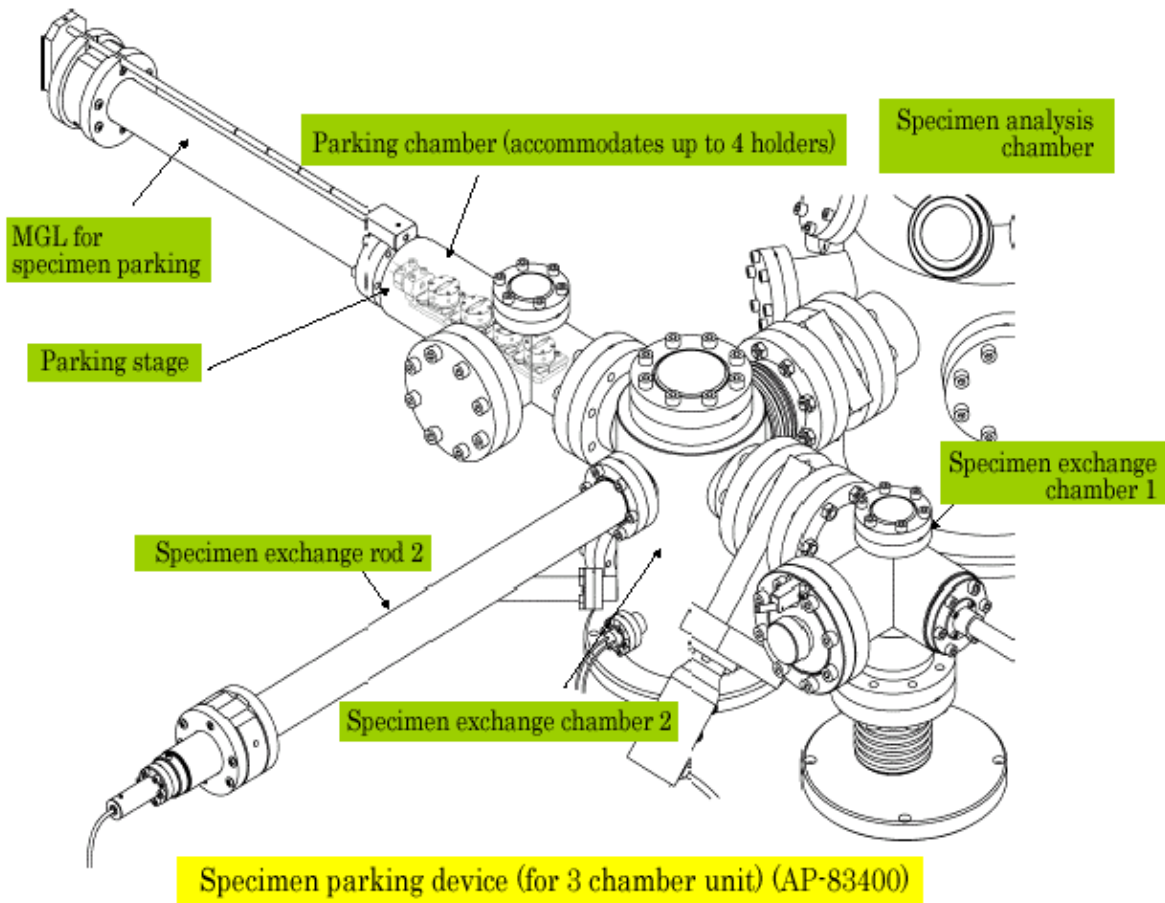
General

The JAMP-7800 Auger Microprobe Series has extra ports and ample space around the specimen chamber to accommodate various devices to support specific applications of individual users. We will introduce some of the devices for specimen preparation to take advantage of the expandability of the 7800 series.

Specimen parking device

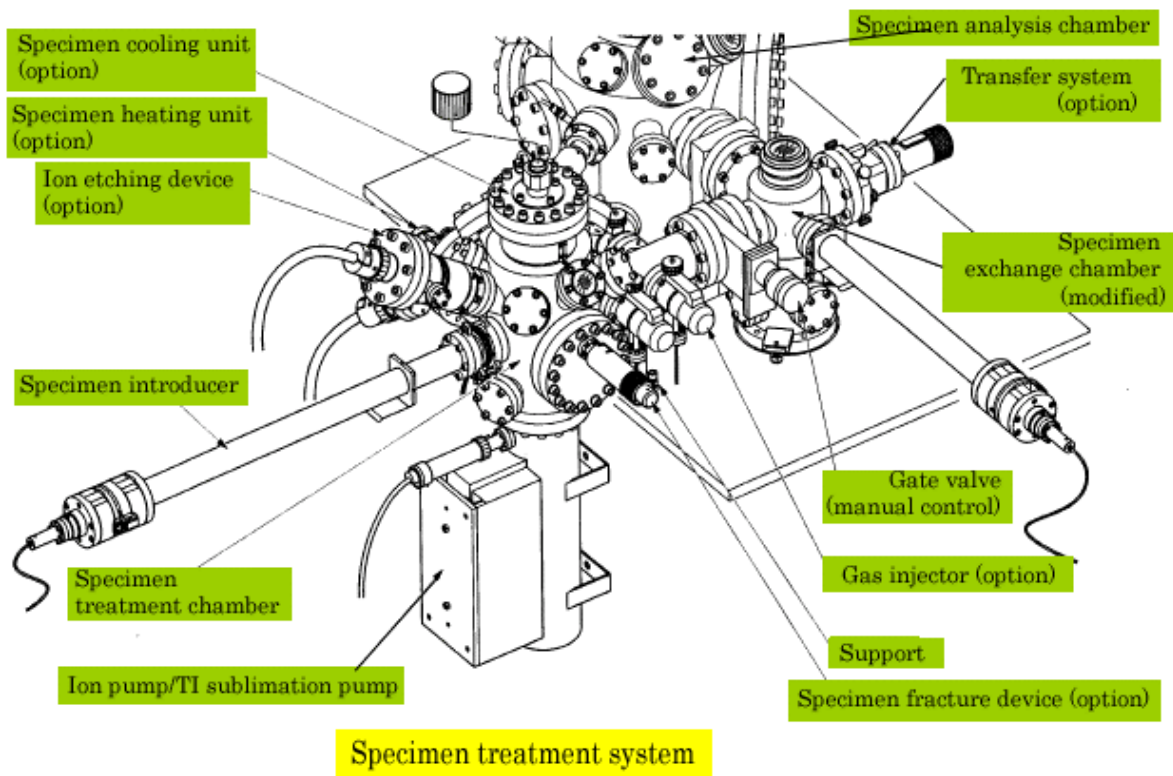
The specimen parking device is designed to **keep multiple samples in vacuum to speed up the specimen exchange process**. Two types are available, 3 chamber unit with an additional UHV chamber to keep samples and 2 chamber unit using the specimen exchange chamber to keep samples, to support different applications.





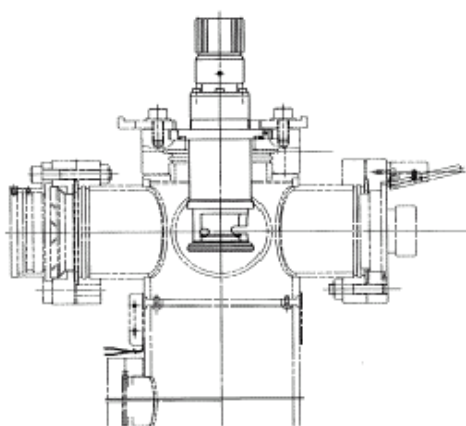
Specimen preparation device

In some surface analysis applications, the sample surface, after being treated with heat or reaction, needs to be analyzed **without being exposed to atmosphere**. The specimen preparation device has a number of extra ports in its chamber to incorporate different sample treatment units, including heating, cooling, fracture, and gas inlet, for analysis of treated samples.

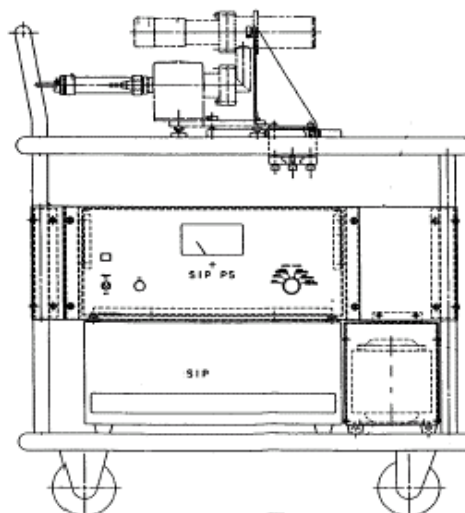


Specimen transfer vessel

Samples are often treated in a separate device, and transferred to the analyzer in a dedicated container. The specimen transfer vessel is ideal for such operation, allowing the sample to be analyzed without being exposed to atmosphere. Different types of vessels are available to facilitate specimen exchange. One has a pump attached to the vessel to keep it in high vacuum, while another uses noble gas to shield the vessel for transfer. The figure shows a type of specimen transfer vessel to be installed over the specimen chamber.



Specimen transfer vessel



Specimen transfer vessel (with pump)